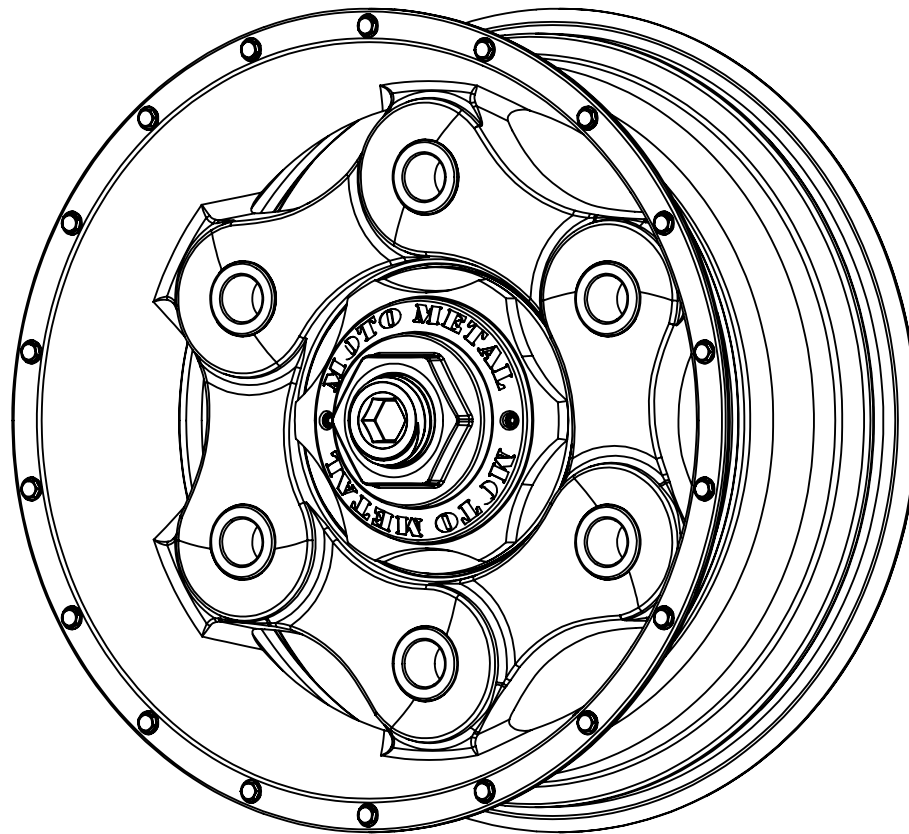


# MOTO METAL LINK INSTRUCTION

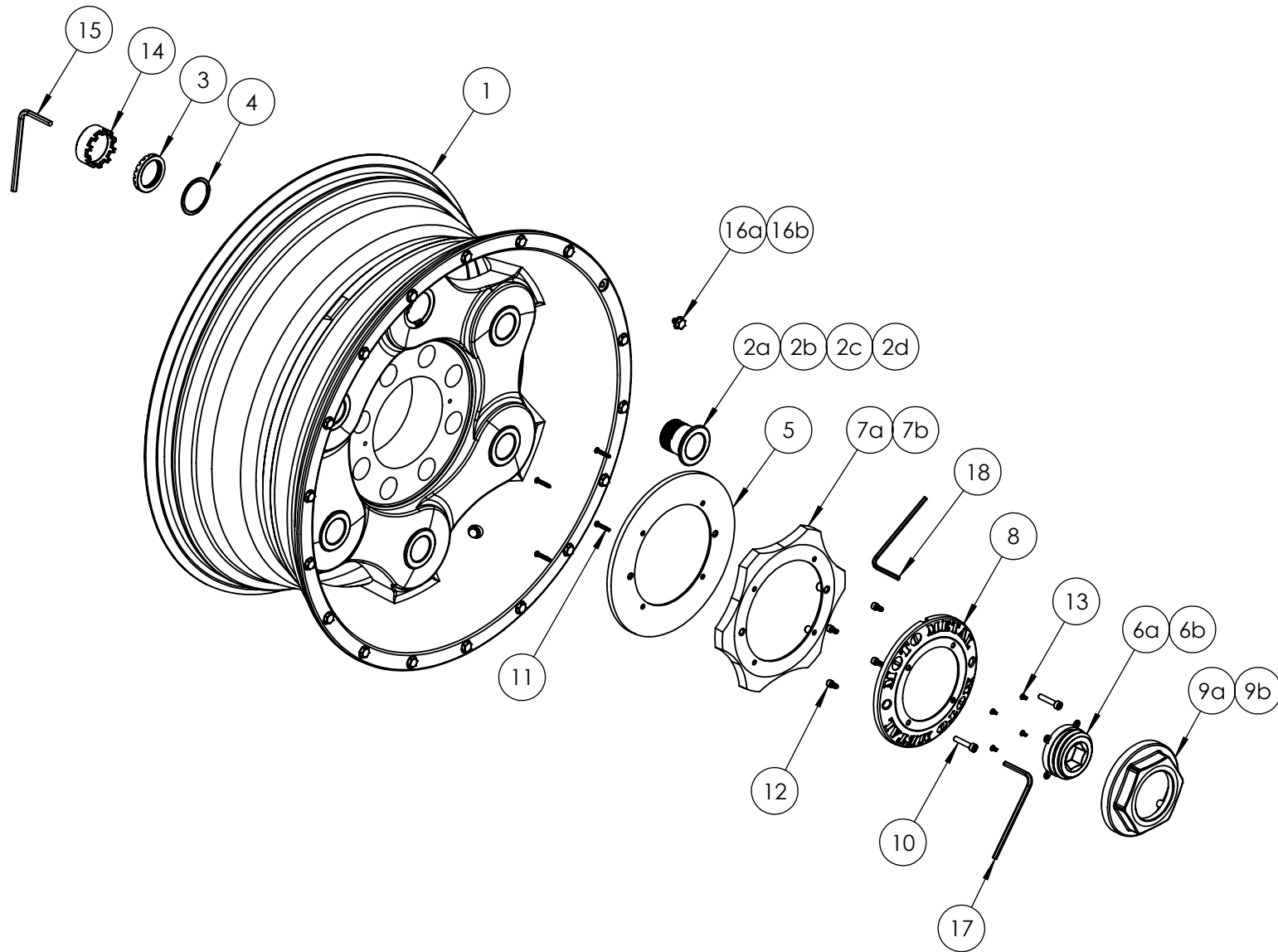


TITLE:

MO977 Accessory Instruction

SHEET 1 OF 6

# Exploded View



TITLE:  
MO977 Accessory Instruction

## Parts List

ITEM NO.	PART NUMBER	DESCRIPTION	FINISH	QTY.
1	MO977	Moto Metal Link Wheel		1
2a	977CHAIN-GB	MO977 20"-22" Chain Link	Gloss Black	6
2b	977CHAIN-SL	MO977 20"-22" Chain Link	Silver	6
2c	977CHAIN1718-GB	MO977 17"-18" Chain Link	Gloss Black	6
2d	977CHAIN1718-SL	MO977 17"-18" Chain Link	Silver	6
3	Rear Link Nut	MO977 Rear Lock Nut (Included w/ Item #2)		6
4	Rear Link Washer	MO977 Rear Washer (Included w/ Item #2)		6
5	977BASE-SB	MO977 Cap Base	Satin Black	1
6a	977THREAD-SB	MO977 Cap Threads	Satin Black	1
6b	977THREAD-SL	MO977 Cap Threads	Silver	1
7a	977SPROCK-GB	MO977 Cap Sprocket	Gloss Black	1
7b	977SPROCK-SL	MO977 Cap Sprocket	Silver	1
8	977LOGO-SB	MO977 Cap Logo Ring	Satin Black	1
9a	977NUT-GB	MO977 Cap Nut	Gloss Black	1
9b	977NUT-GLD	MO977 Cap Nut	Gold	1
10	M6 x 35mm SOCKET HEAD SCREW			2
11	M4 x 25mm CUT END PHILLIPS SCREW			4
12	M5 x 10mm SOCKET HEAD SCREW			4
13	M4 x 8mm CUT END PHILLIP SCREW			4
14	977WRENCH	Wrench for 977CHAIN		1
15	6mm HEX KEY	Use with 977WRENCH		1
16a	MDM101	MO977 Bolt Rivet	Stainless Steel	18
16b	M5RSIISCREWB	MO977 Bolt Rivet	Anodized Black	18
17	5mm HEX KEY	Use M6 x 35mm Socket Head Screw		1
18	4mm HEX KEY	Use with M5 x 10mm Socket Head Screw		1

TITLE:

MO977 Accessory Instruction

## Link Assembly

Use Link Wrench Tool to Thread and Tighten Rear Link onto Front Link

Insert 6mm Hex Key into Link Wrench Tool

6mm Hex Key  
**Item #15**

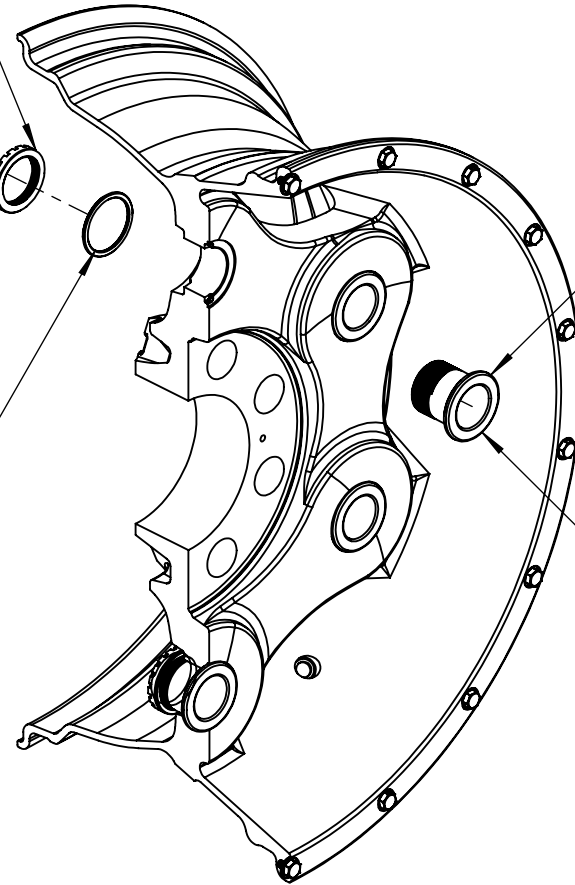
Link Wrench Tool  
**Item #14**

Rear Link Nut  
**Item #3**

Rear Link Washer  
**Item #4**

Insert Front Link into Wheel

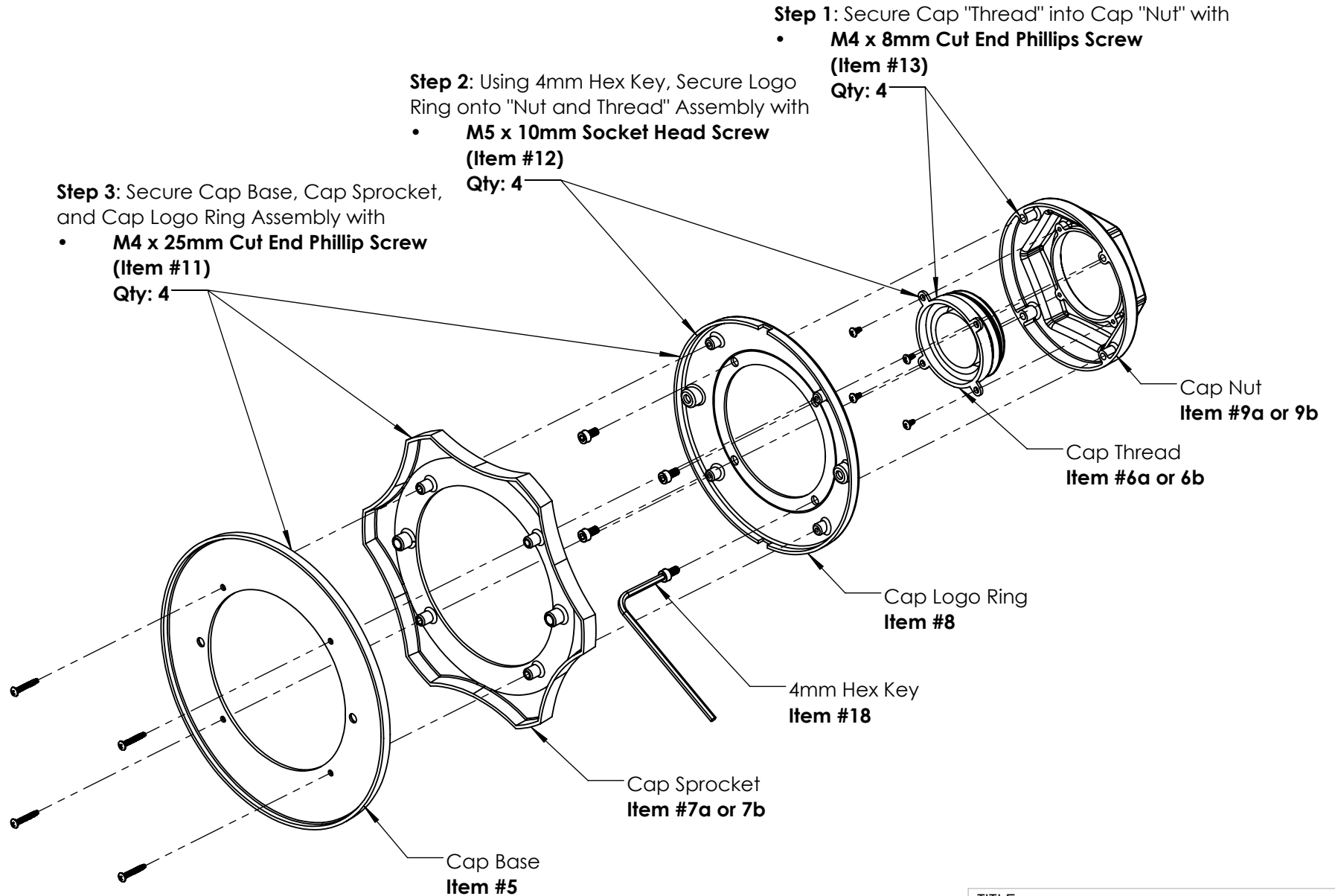
Front Chain Link  
**ITEM #: 2a, 2b, 2c, or 2d**



TITLE:

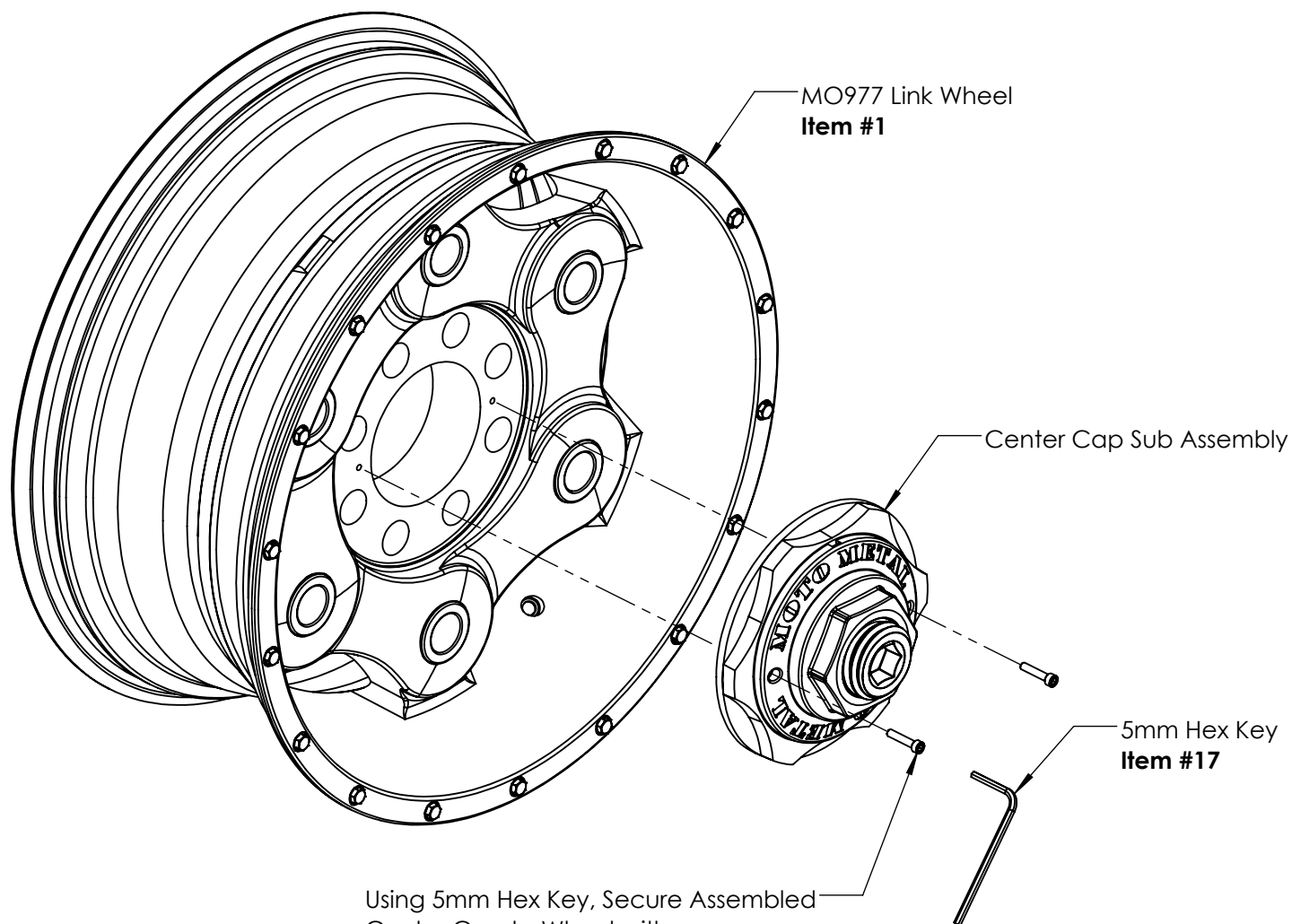
MO977 Accessory Instruction

# Center Cap Sub Assembly



TITLE:  
MO977 Accessory Instruction

## Center Cap/ Wheel Assembly



Using 5mm Hex Key, Secure Assembled  
Center Cap to Wheel with

- **M6 x 35mm Socket Head Screw  
(Item #10)**  
QTY: 2

TITLE:

MO977 Accessory Instruction